

Xeno Wheelbuild data

2021 Hub Spoke Offset, Pitch Circle Diameter and Spoke Seat Offset for KOM Xeno Hubs

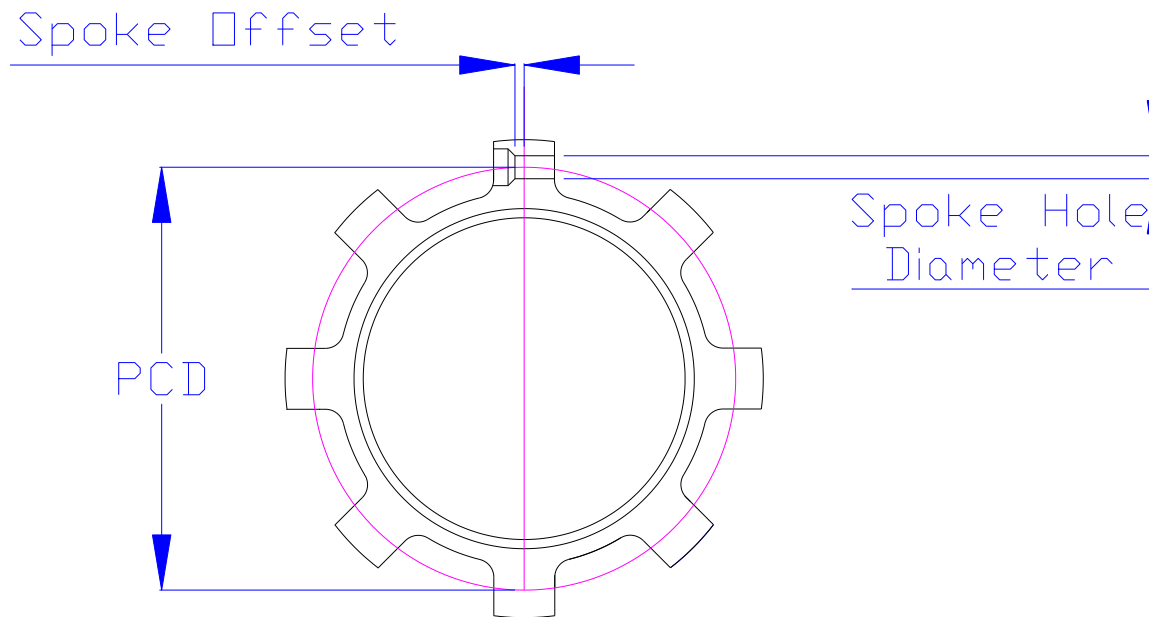
<b>Kom Hub Type</b>	<b>Spoke PCD Left &amp; Right</b>	<b>Spoke Offset Left &amp; Right</b>	<b>Flange Offset Left</b>	<b>Flange Offset Right</b>	<b>Spoke Cross Pattern</b>
Xeno Front 100mm 32 Spoke	46mm	0.5mm	23.5mm	34mm	3 Cross
Xeno Front 100mm 28 Spoke	46mm	0.5mm	23.5mm	34mm	3 Cross
Xeno Front 100mm 24 Spoke	46mm	0.5mm	23.5mm	34mm	2 Cross
Xeno Front Boost 110mm 32 Spoke	46mm	0.5mm	28.5mm	39mm	3 Cross
Xeno Front Boost 110mm 28 Spoke	46mm	0.5mm	28.5mm	39mm	3 Cross
Xeno Rear 135/142mm 28 Spoke ROAD*	46mm	0.5mm	27.5mm	18.5mm	3 Cross
Xeno Rear 135/142mm 24 Spoke ROAD*	46mm	0.5mm	27.5mm	18.5mm	2 Cross
Xeno Rear 135/142mm 32 Spoke MTB**	46mm	0.5mm	27.5mm	20.5mm	3 Cross
Xeno Rear 135/142mm 28 Spoke MTB**	46mm	0.5mm	27.5mm	20.5mm	3 Cross
Xeno Rear 135/142mm 32 Spoke JUMP***	46mm	0.5mm	27.5mm	26.5mm	3 Cross
Xeno Rear 135/142mm 28 Spoke JUMP***	46mm	0.5mm	27.5mm	26.5mm	3 Cross
Xeno Rear Boost 148mm 32 Spoke MTB**	46mm	0.5mm	30.5mm	23.5mm	3 Cross
Xeno Rear Boost 148mm 28 Spoke MTB**	46mm	0.5mm	30.5mm	23.5mm	3 Cross

Wheel Building Information for input into SRAIGHT PULL spoke length calculators. (All versions of Xeno hub feature straight pull spokes)

Spoke offset from centre line, shown in positive direction, in the diagram below. (Making the spoke slightly longer)

Spoke Hole Diameter 2.5mm.

The Pitch Circle Diameter (**PCD**) is the diameter of a circle which passes through the centre of all spoke holes.



**Figure showing Spoke Diameter, Offset and PCD**

These hub dimensions are intended for use with an online STRAIGHT PULL spoke length calculator. (eg: [DT Swiss Spoke Length Calculator](#))

In addition, wheel rim data will also be required.

- \* ROAD Suitable with road Cassettes Shimano HG 11 speed or SRAM XDR (Both cassette holders are 1.8mm wider than mountain bike variant)
- \*\* MTB Suitable with mountain bike cassettes. Shimano HG, SRAM XD or Shimano Micro Spline.
- \*\*\* JUMP, Trials or similar bike with reduced width cassette (6mm thinner than standard MTB) or single speed.

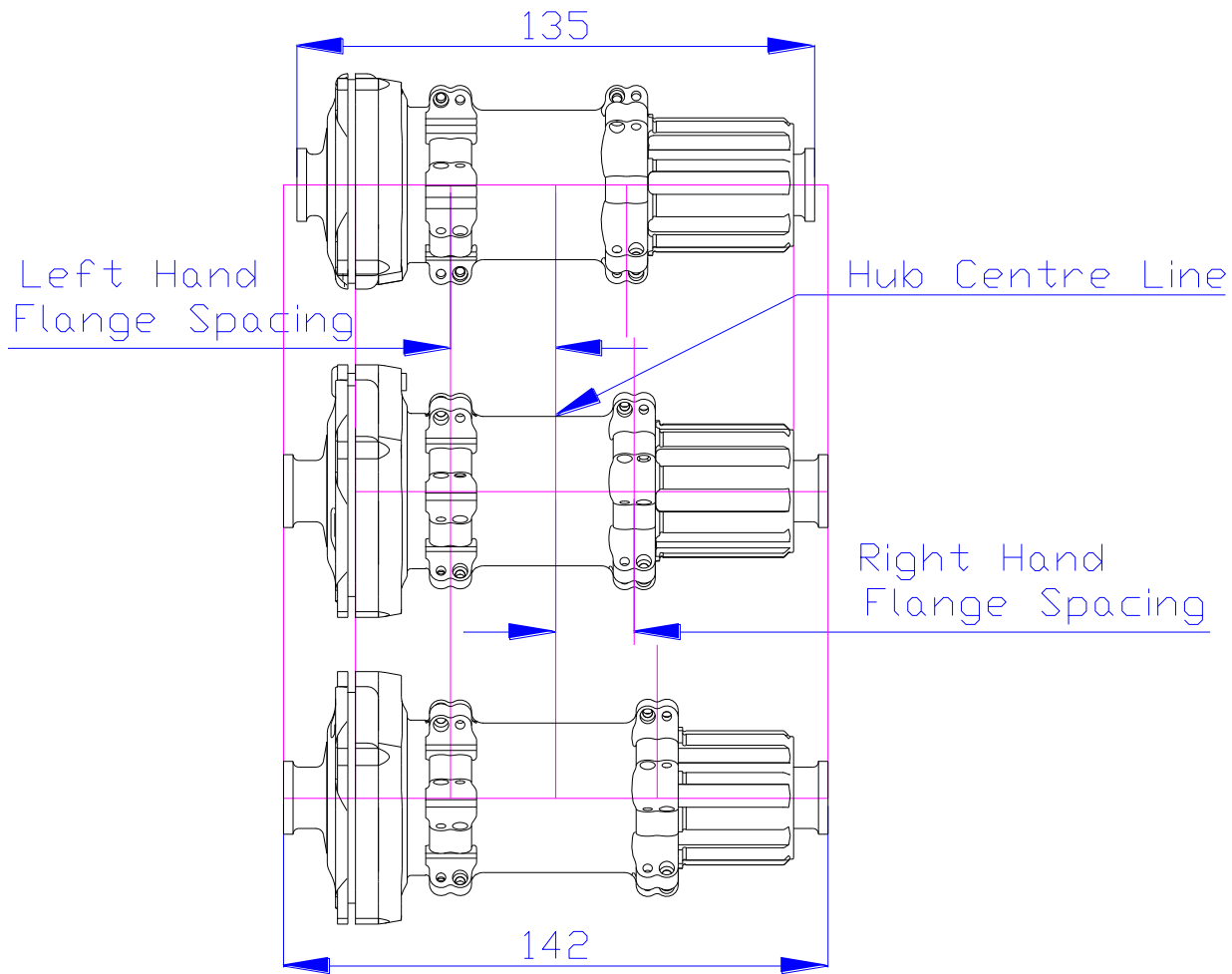


Diagram illustrating Road, Mountain Bike and Jump Bike versions of the hub with different length cassette holders:

Top: Road Variant. (Shown with Shimano HG 11 Speed. Could also be used with SRAM XDr cassette holder)

Central: Mountain Bike Variant. (Shown with 10 speed Shimano HG mountain bike. Could also be use with SRAM XD or Shimano Micro Spline)  
Improved spoke geometry for greater lateral strength.

Bottom: Jump, or trials bike with single speed or thinner cassette HG type.  
Near perfect spoke symmetry for maximum even strength.  
(6mm narrower cassette holder than mountain bike standard)